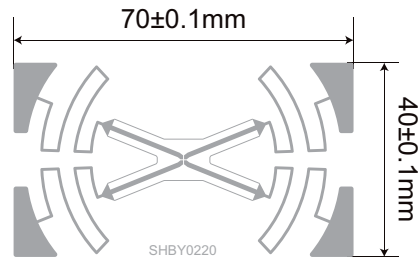


## IC Specifications

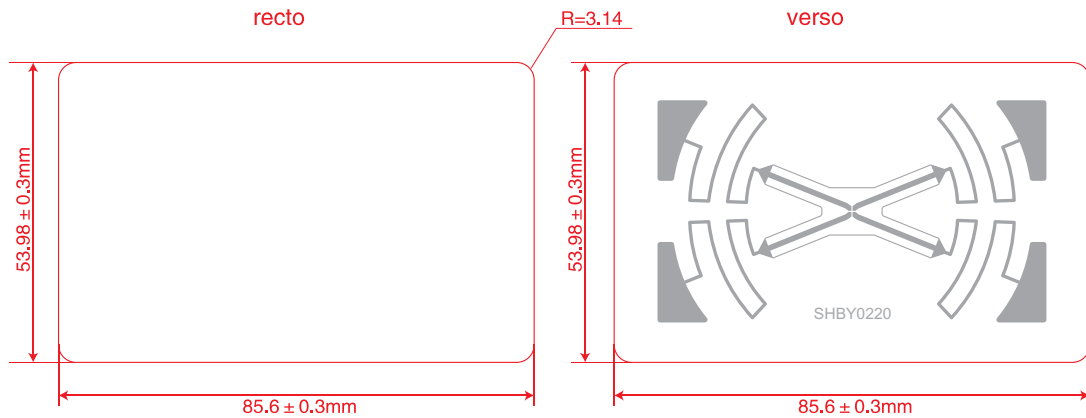
- IC Protocol: ISO/IEC 18000-6C
- ISO Typical Operating Frequency:860-960MHz
- Chip:Monza 4D
- User Memory:32 bits
- Operating Temperature:-40°C/+85°C
- Storage Temperature:-40°C/+85°C

## Antenna Design

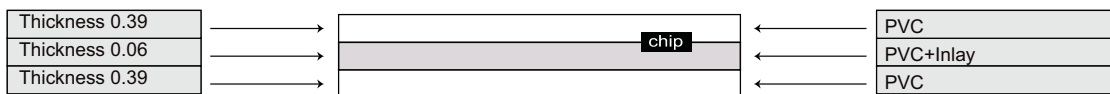
- Aluminum Etching/10 μm
- Substrate: PET/50 μm



## Card Layout and Dimensions



## Card Composition



## Packaging

	200pcs/inner case 195*90*60mm
	6 inner cases/master ctn 300*210*145mm
	10 inner cases/master ctn 495*215*145mm
	20 inner cases/master ctn 505*225*288mm