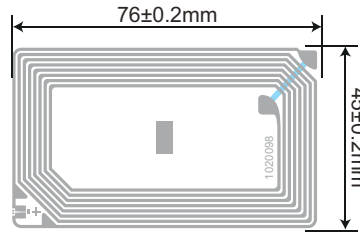


IC Specifications

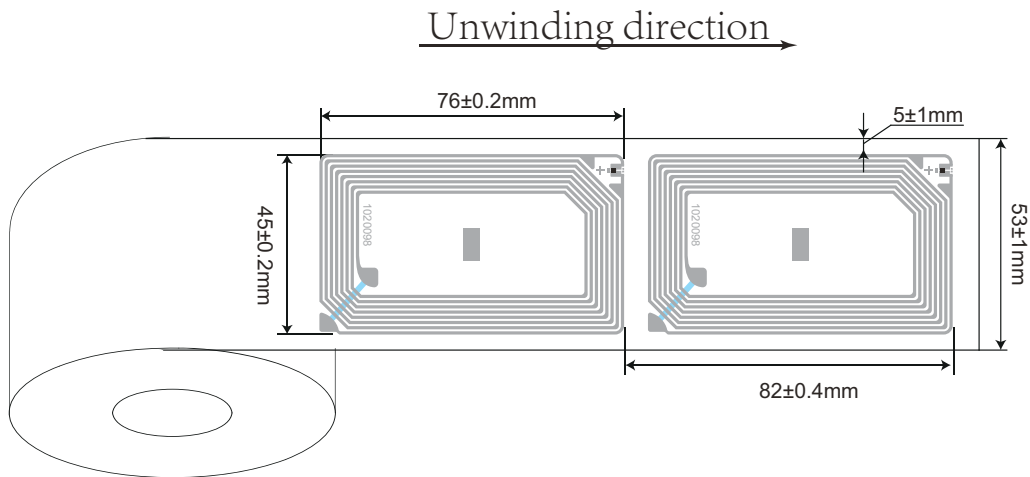
- IC Protocol:ISO/IEC 14443A
- ISO Typical Operating Frequency:13.56MHz
- Chip:F08
- Operating Temperature: /
- Storage Temperature:+18°C/+24°C

Antenna Design

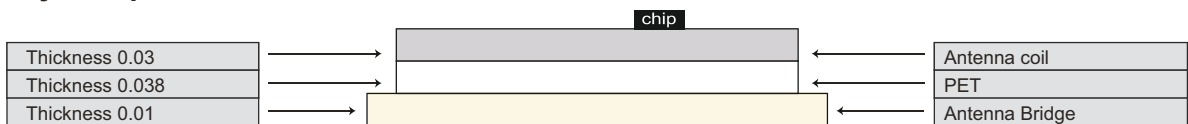
- Aluminum Etching/30 μm
- Substrate: PET/38 μm
- Aluminum Etching/10 μm



Dry Inlay Layout and Dimensions



Dry Inlay Composition



Packaging

	12,000 pcs/roll(total inlay) with 3" core
	4 inner cases/master ctn 395*395*330mm