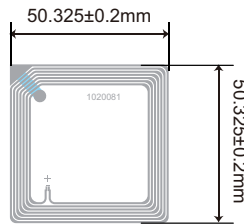


## IC Specifications

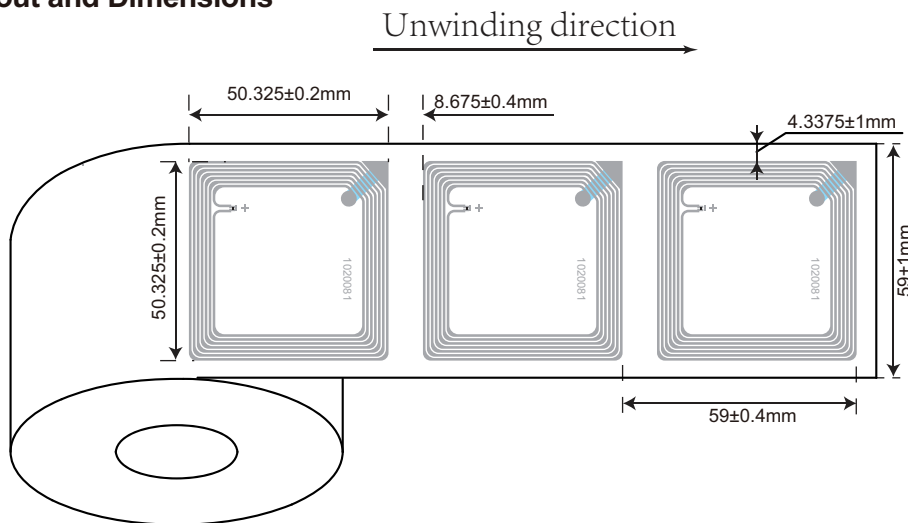
- IC Protocol:ISO/IEC15693
- ISO Typical Operating Frequency:13.56MHz
- Chip:SLI-X
- User Memory:896 bits
- Operating Temperature:-40°C/+85°C
- Storage Temperature:-55°C/+125°C

## Antenna Design

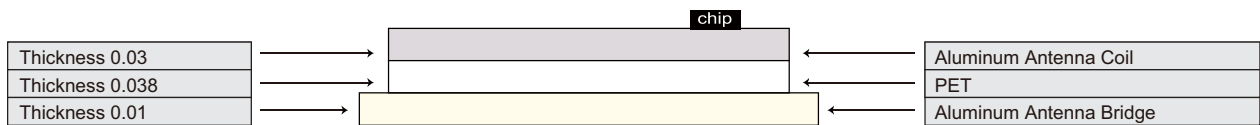
- Aluminum Etching/30 μm
- Substrate: PET/38 μm
- Aluminum Etching/10 μm



## Dry Inlay Layout and Dimensions



## Dry Inlay Composition



## Packaging

	1,000 pcs/roll with 3" core
	1 roll/inner case 140*140*65mm(TBD)
	10 inner cases/master ctn 320*160*355mm(TBD)