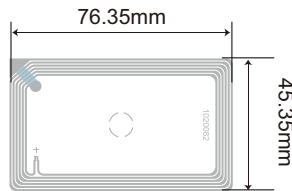


IC Specifications

- IC Protocol:ISO/IEC 15693
- ISO Typical Operating Frequency:13.56MHz
- Chip:SLI-X
- User Memory:896 bits
- Operating Temperature:-40°C/+85°C
- Storage Temperature:-55°C/+125°C

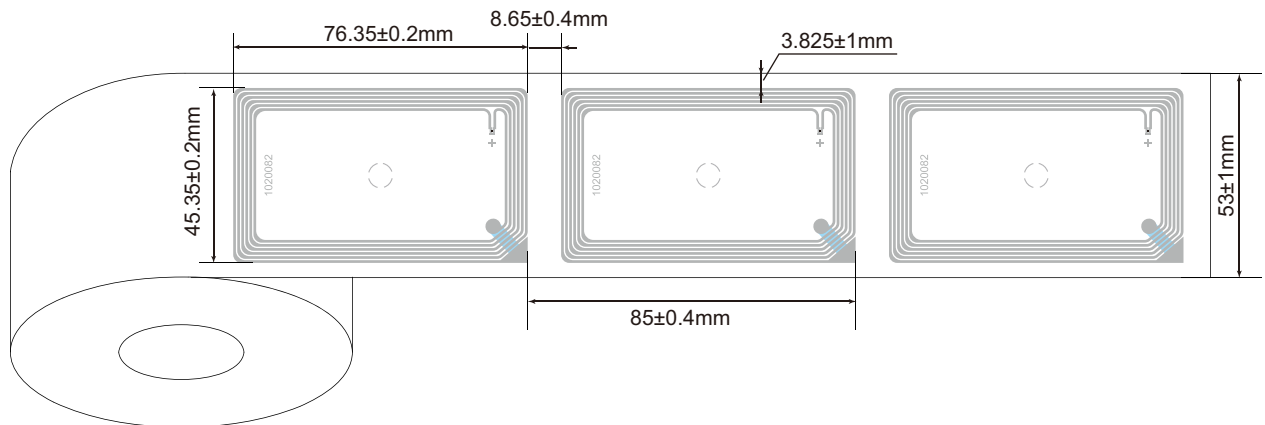
Antenna Design

- Aluminum Etching/30 μm
- Substrate: PET/38 μm
- Aluminum Etching/10 μm

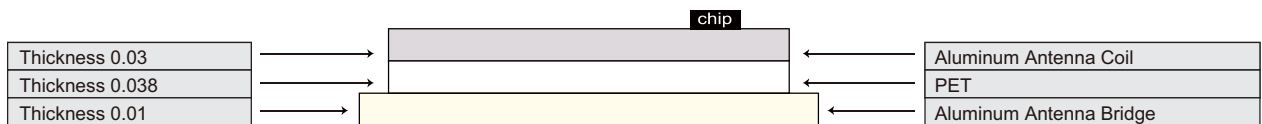


Dry Inlay Layout and Dimensions

Unwinding direction →



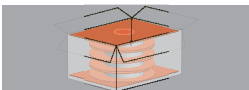
Dry Inlay Composition



Packaging



12,000 pcs(total inlay)/roll with 3" core



4 roll/inner case 395*395*330mm