



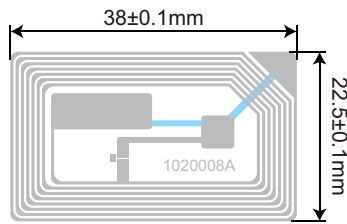
L 1K EV1 4bytes 0008A 38-22.5 44.5-28.5 V 033-2K1-20K

IC Specifications

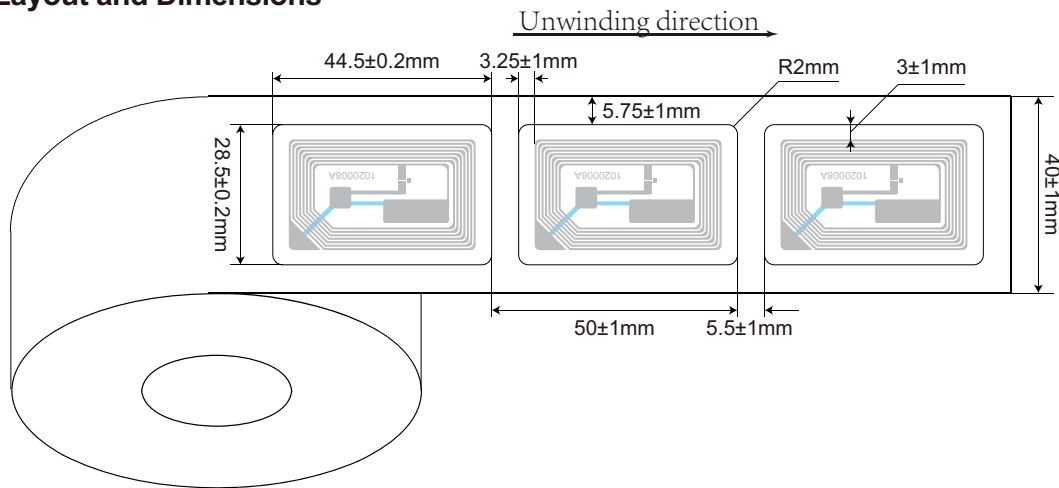
- IC Protocol:ISO/IEC 14443A
- ISO Typical Operating Frequency:13.56MHz
- Chip:1K EV1(4 bytes)
- User Memory:6016 bits
- Operating Temperature:-25°C/+70°C
- Storage Temperature:-55°C/+125°C

Antenna Design

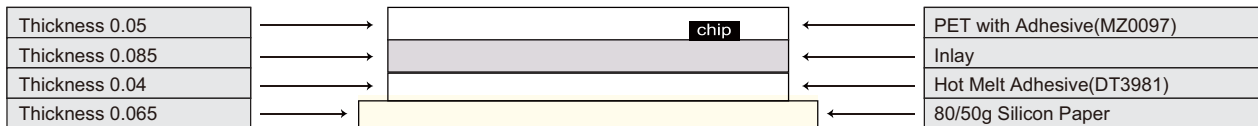
- Aluminum Etching/30 μm
- Substrate: PET/38 μm
- Aluminum Etching/10 μm



Label Layout and Dimensions



Label Composition



Packaging

	2,000 pcs/roll with 3" core 1 meter leading silicon paper at the beginning and ending of roll
	1 roll/inner case 205*205*45mm(TBD)
	10 inner cases/master ctn 440*215*255mm(TBD)