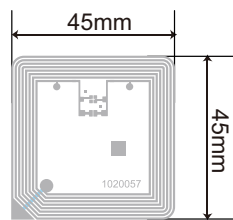


IC Specifications

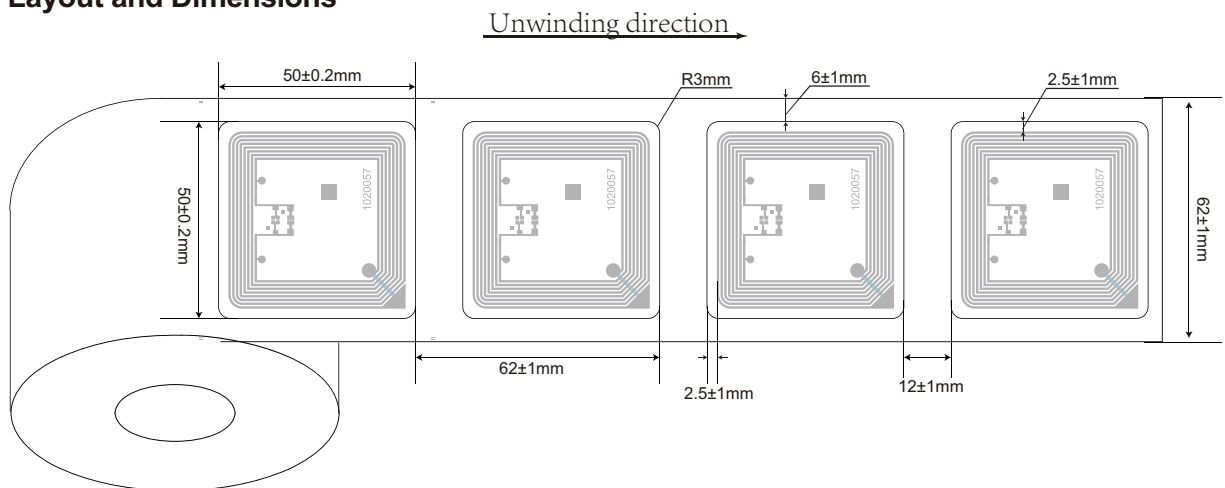
- IC Protocol:ISO/IEC 15693
- ISO Typical Operating Frequency:13.56MHz
- Chip:SLI-X
- User Memory:896 bits
- Operating Temperature:-40°C/+85°C
- Storage Temperature:-55°C/+125°C

Antenna Design

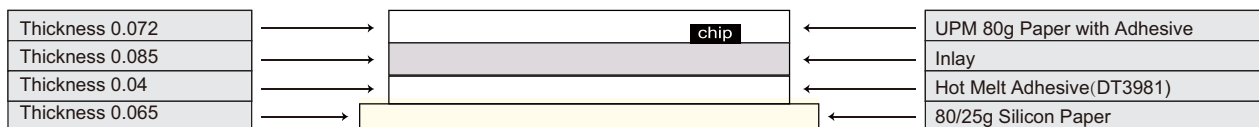
- Aluminum Etching/30 μm
- Substrate: PET/38 μm
- Aluminum Etching/10 μm



Label Layout and Dimensions



Label Composition



Packaging

	1,500 pcs/roll with 3" core 1 meter leading silicon paper at the beginning and ending of roll
	1 roll/inner case 210*210*70mm(TBD)
	10 inner cases/master ctn 450*230*380mm(TBD)