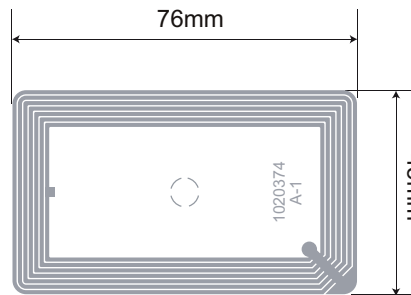


IC Specifications

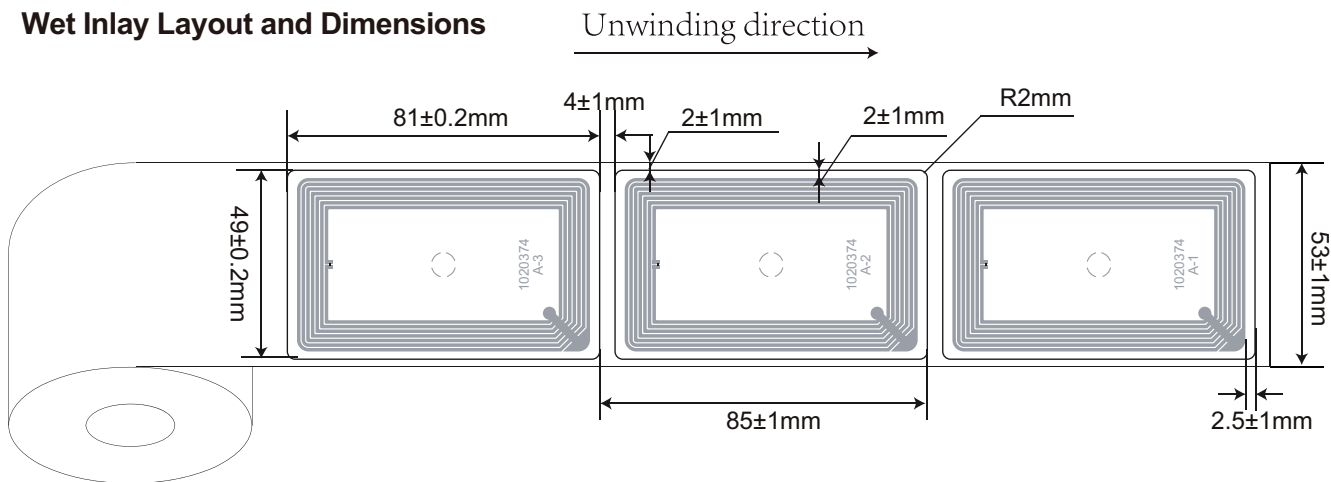
- IC Protocol:ISO/IEC 14443A
- ISO Typical Operating Frequency:13.56MHz
- Chip:NTAG 210
- User Memory:384 bits
- Operating Temperature:-25°C/+70°C
- Storage Temperature:-55°C+125°C

Antenna Design

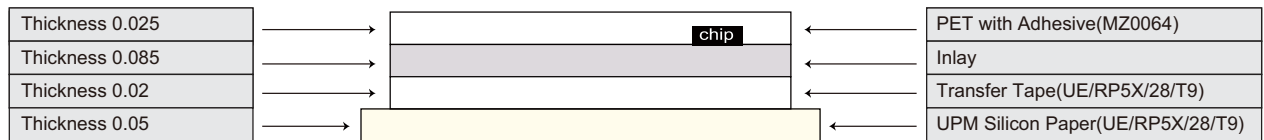
- Aluminum Etching/30 μm
- Substrate: PET/38 μm
- Aluminum Etching/10 μm



Wet Inlay Layout and Dimensions



Wet Inlay Composition



Packaging

	1,000 pcs/roll with 3" core 1 meter leading silicon paper at the beginning and ending of roll
	1 roll/inner case 190*190*58mm
	10 inner cases/master ctn 405*215*325mm

1.Wet Inlay Roll

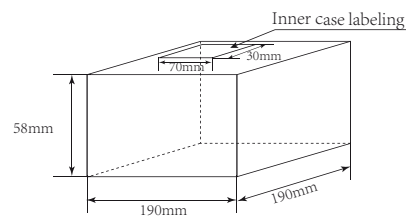
Parameter	Characteristics
Wet Inlay roll	Core inside diameter : 76±1mm
	Core wall thickness : 6±1mm
	Roll outside diameter :170mm Max
Wind direction	Chip outside
Web width	53mm ± 1mm
Quantity per roll	1000 pcs Label
Tail	1 meter leading silicon paper at the beginning and ending of roll
Defective Wet inlays	Not marked,no bad
Yield warranty	99 %

2.Roll label//Inner case label

-size:70*30mm

Lable Production Lot	
Customer Name	
Customer PO#	
Lable Qty	
NFC P/N	
Product Code	
Production Date	

-position



3.Master Carton Label

-size:100*80mm

Customer Name	
Customer PO#	
NFC P/N	
QTY	
Carton NO.	
Date	

-position

