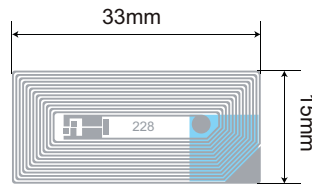


IC Specifications

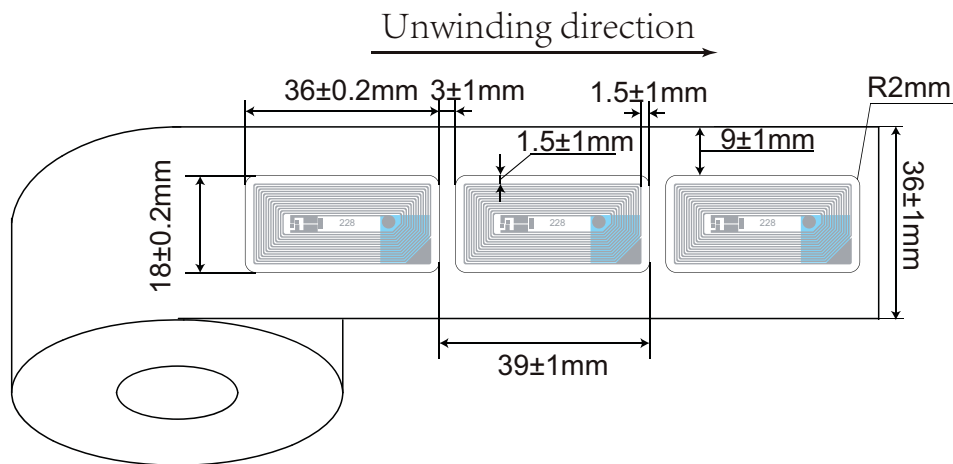
- IC Protocol:ISO15693
- ISO Typical Operating Frequency:13.56MHz
- Chip:NXP SLIX2
- User Memory:2560 bits
- Operating Temperature:-40°C/+85°C
- Storage Temperature:-55°C/+125°C

Antenna Design

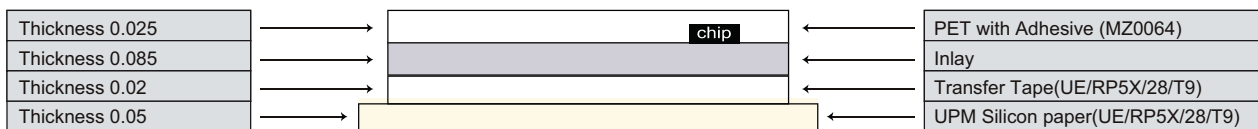
- Aluminum Etching/30 μm
- Substrate: PET/38 μm
- Aluminum Etching/10 μm





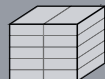
Wet Inlay Layout and Dimensions



Wet Inlay Composition



Packaging

	2,000 pcs/roll with 3" core 1 meter leading silicon paper at the beginning and ending of roll
	2 rolls/inner case 190*190*77mm
	10 inner cases/master ctn 410*210*415mm