

IC Specifications

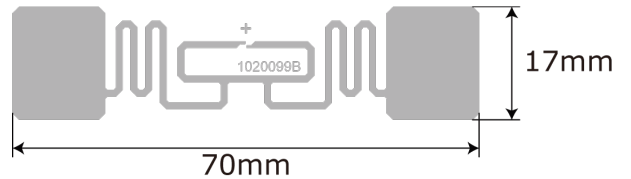
- IC Protocol: ISO 18000-6C
- ISO Typical Operating Frequency: 860-960 MHz
- Chip: Alien Higgs 3
- User Memory: 512 bit

Environmental Suggestion

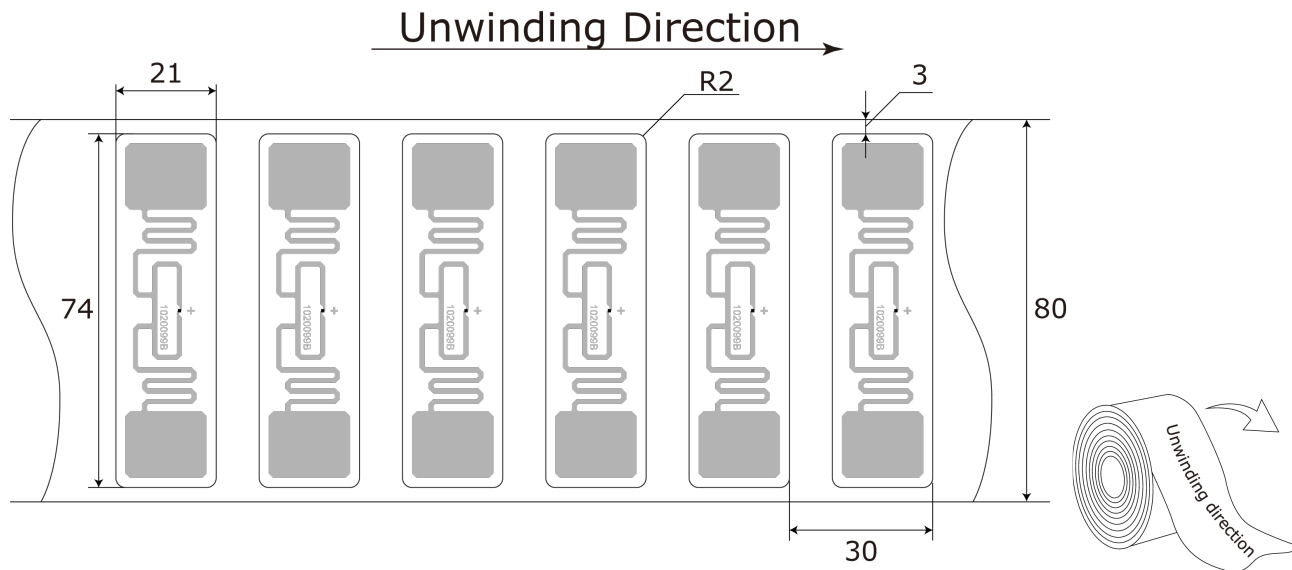
- Operating Temperature: -50°C/+85°C
- Storage Temperature: NA

Antenna Design

Top: Aluminum/10 μm
Substrate: PET/50 μm



Layout and Dimensions (mm)



Construction (Thickness: mm ; Total: +/- 10%)

0.072		Paper with adhesive(04/RP5X/01/HO)
0.063	chip	Inlay
0.04		Hot melt adhesive(DT3981)
0.065		Silicon Paper(WG80g/50g)

Product Parameter

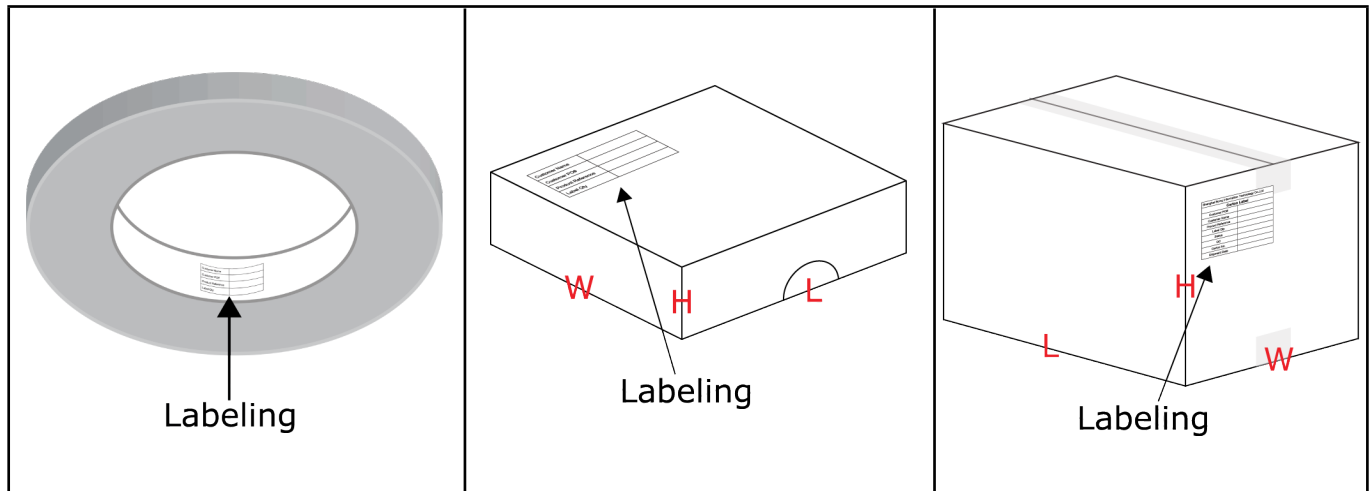
Parameters	Characteristics
Roll Size	Core internal Diameter: 76.2 ± 1 mm
	Core Thickness: 6 ±1mm
	Roll External Diameter: ≤ 180 mm
Quantity / Roll	3000 pcs Total
Tail	1 m leading silicon paper at the beginning and ending of roll
Defectives	NA.
Yield	≥ 99 %
Joints	Below 2 times joints per roll(excluding 2 leading joints)

Package information

Size (TBD)

- 3000 pcs/roll - 3"core	- 1 roll/inner case 2 gasketsΦ190*3 mm Length: 196 mm Width : 196 mm Height: 90 mm	- 4 inner /master ctn Length: 422 mm Width : 206 mm Height: 210 mm
-----------------------------	--	---

Illustration



Labeling information

<table border="1"> <tr><td>Customer Name</td><td></td></tr> <tr><td>Customer PO#</td><td></td></tr> <tr><td>Product Reference</td><td></td></tr> <tr><td>Label Qty</td><td></td></tr> </table> <p>colour:white 1pcs/roll size:70*30 mm</p>	Customer Name		Customer PO#		Product Reference		Label Qty		<table border="1"> <tr><td>Customer Name</td><td></td></tr> <tr><td>Customer PO#</td><td></td></tr> <tr><td>Product Reference</td><td></td></tr> <tr><td>Label Qty</td><td></td></tr> </table> <p>colour:white 1pcs/inner case size:70*30 mm</p>	Customer Name		Customer PO#		Product Reference		Label Qty		<p>Shanghai Boing Information Technology Co.,Ltd</p> <table border="1"> <tr><th colspan="2">Carton Label</th></tr> <tr><td>Customer PO#</td><td></td></tr> <tr><td>Customer Name</td><td></td></tr> <tr><td>Product Reference</td><td></td></tr> <tr><td>Label Qty</td><td></td></tr> <tr><td>Status</td><td></td></tr> <tr><td>QC</td><td></td></tr> <tr><td>Carton No.</td><td></td></tr> <tr><td>Shipment Date</td><td></td></tr> </table> <p>colour:white 1pcs/master ctn size:100*80 mm</p>	Carton Label		Customer PO#		Customer Name		Product Reference		Label Qty		Status		QC		Carton No.		Shipment Date	
Customer Name																																				
Customer PO#																																				
Product Reference																																				
Label Qty																																				
Customer Name																																				
Customer PO#																																				
Product Reference																																				
Label Qty																																				
Carton Label																																				
Customer PO#																																				
Customer Name																																				
Product Reference																																				
Label Qty																																				
Status																																				
QC																																				
Carton No.																																				
Shipment Date																																				