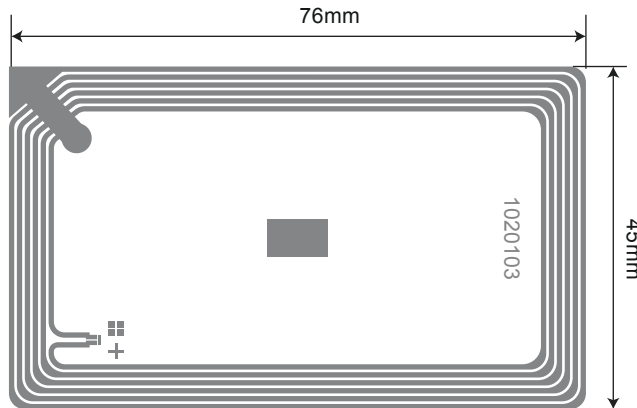


# Antenna 1020103 76x45mm

Example of Label/Product



### Antenna Design

Top: Aluminum/30  $\mu$ m

Substrate: PET/38  $\mu$ m

Bottom: Aluminum/10  $\mu$ m

Die-cut Size	Antenna Position (on the web)	Chip	Form Factor
81x49mm	WEL/NEL	NXP   CODE SLIX2/NXP   CODE SLIX	Paper / PET / PP / Nylon / Satin / Hangtag
86x54mm	NEL	NXP   CODE SLIX2/NXP   CODE SLIX	

We can make more label size according to customer's requirements.

