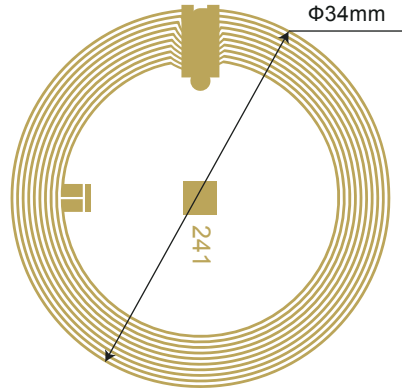


Antenna 1020241 Φ 34mm

Example of Label/Product



Antenna Design

Top: Cu/18 μ m
Substrate: PET/50 μ m

Die-cut Size	Antenna Position (on the web)	Chip	Form Factor
Φ 40mm	WEL/NEL	NXP I CODE SLIX2/NXP I CODE SLIX	Paper / PET / PP / Nylon / Satin / Hangtag
Ext. Φ 40mm Int. Φ 16mm	WEL/NEL	NXP I CODE SLIX2/NXP I CODE SLIX	

We can make more label size according to customer's requirements.

