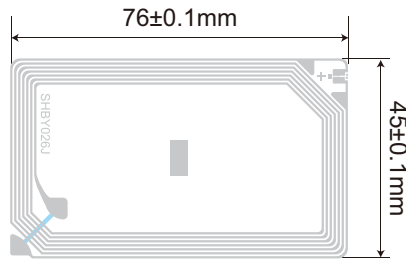


IC Specifications

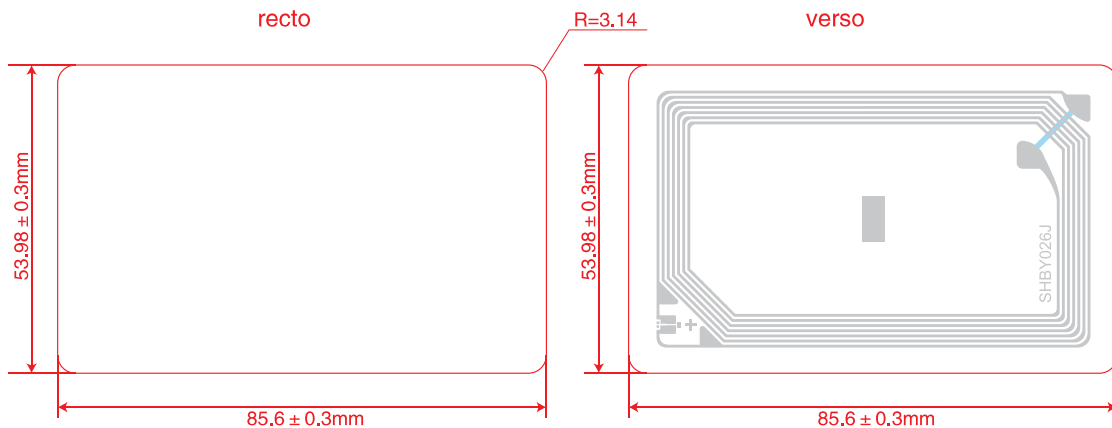
- IC Protocol: ISO/IEC 14443A
- ISO Typical Operating Frequency:13.56MHz
- Chip:UL-C
- User Memory:1184 bits
- Operating Temperature:-25°C/+70°C
- Storage Temperature:-55°C/+125°C

Antenna Design

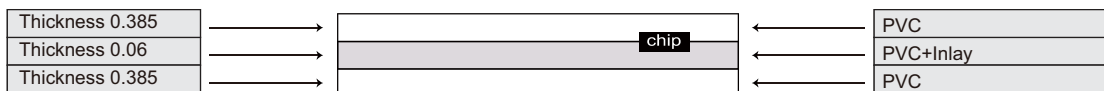
- Aluminum Etching/30 μm
- Substrate: PET/38 μm
- Aluminum Etching/10 μm



Card Layout and Dimensions



Card Composition



Packaging

	200pcs/inner case 195*90*60mm
	6 inner cases/master ctn 300*210*145mm
	10 inner cases/master ctn 495*215*145mm
	20 inner cases/master ctn 505*225*288mm