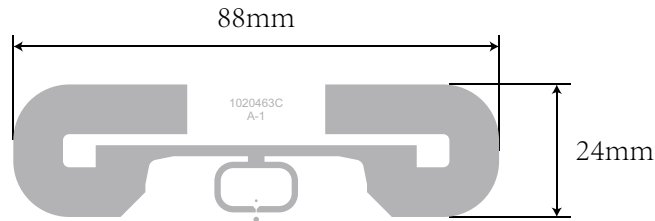


### IC Specifications

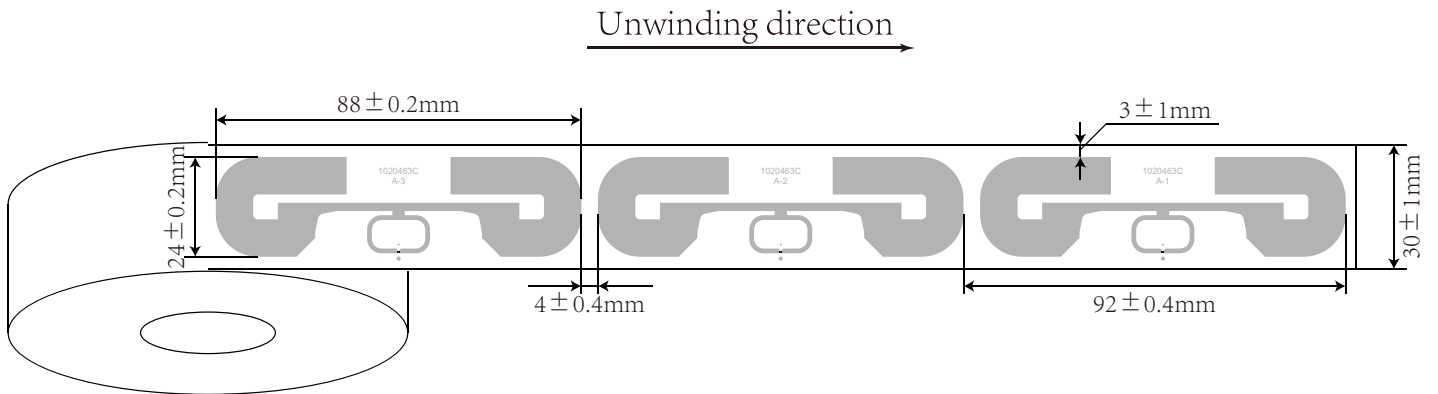
- IC Protocol:ISO/IEC 18000-6C
- ISO Typical Operating Frequency:860~960MHz
- Chip:Monza R6-P
- User Memory:64 bits
- Operating Temperature:-40°C/+85°C
- Storage Temperature:-40°C/+85°C

### Antenna Design

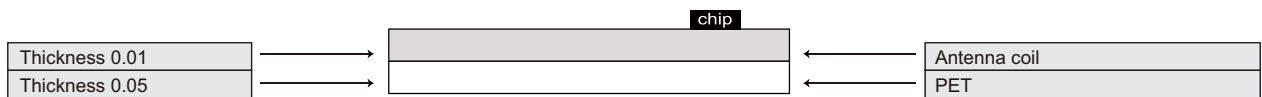
- Aluminum Etching/10 μm
- Substrate: PET/50 μm



### Dry Inlay Layout and Dimensions



### Dry Inlay Composition



### Packaging

	8,000 pcs(total inlay)/roll with 6" core
	7 rolls/master ctn 365*365*355mm