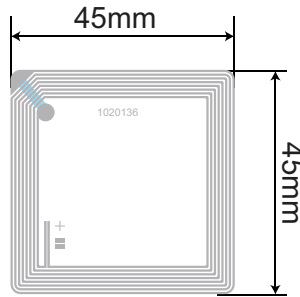


IC Specifications

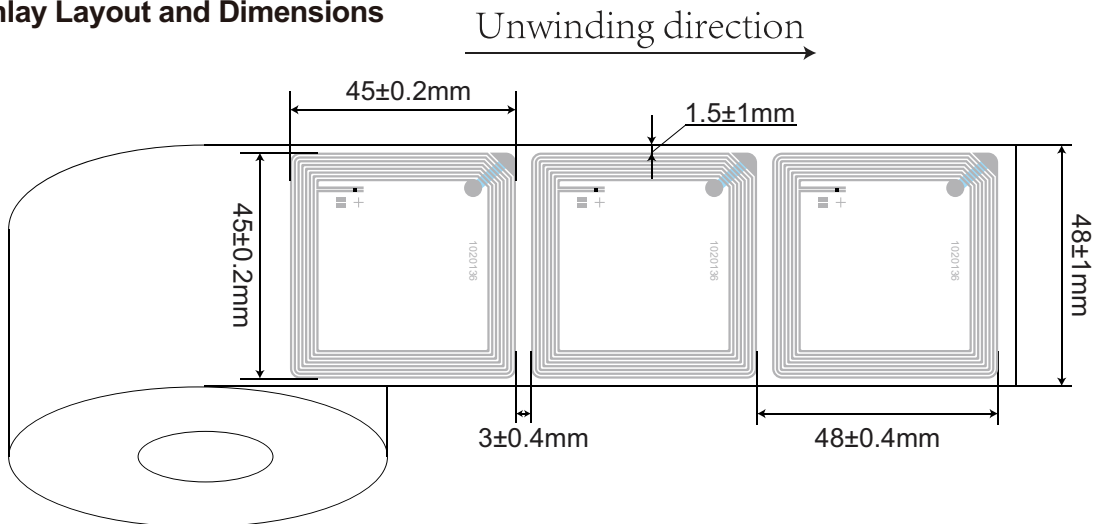
- IC Protocol:ISO/IEC 14443C
- Operating Frequency:13.56MHz
- Chip:NXP UL
- User Memory:384 bits
- Operating Temperature:-25°C/+70°C
- Storage Temperature:/

Antenna Design

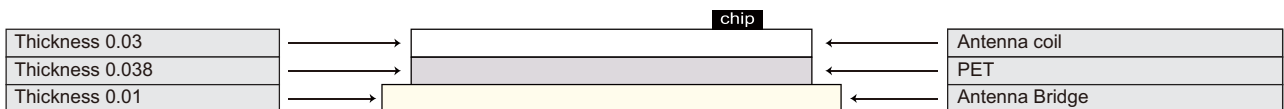
- Aluminum Etching/30 μm
- Substrate: PET/38 μm
- Aluminum Etching/10 μm



Dry Inlay Layout and Dimensions



Dry Inlay Composition



Packaging

	12,000 pcs (total inlay)/roll with 3" core
	5 inner cases/master ctn 365*365*355mm