

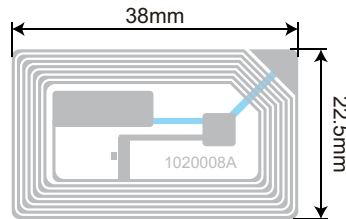
# BOINGTECH® L Mifare 4K EV1 4B 0008A 38-22.5 42-27 V 002-1.5K1-12K

## IC Specifications

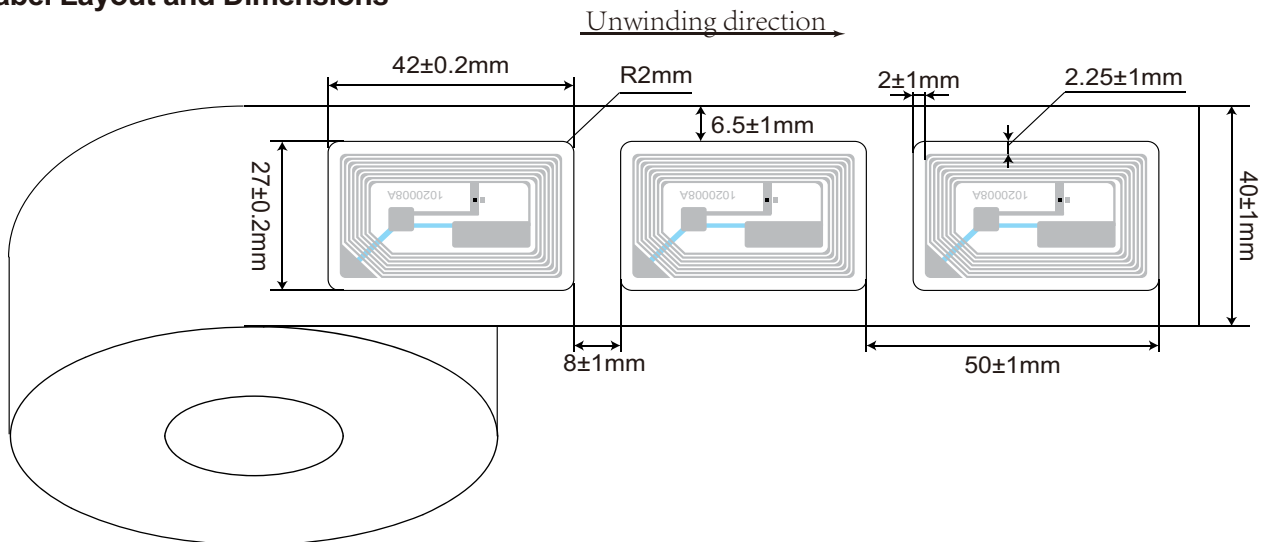
- IC Protocol:ISO/IEC 14443A
- ISO Typical Operating Frequency:13.56MHz
- Chip:NXP Mifare 4K EV1 4byte NUID
- User Memory:4K
- Operating Temperature:-25°C/+70°C
- Storage Temperature:-55°C/+125°C

## Antenna Design

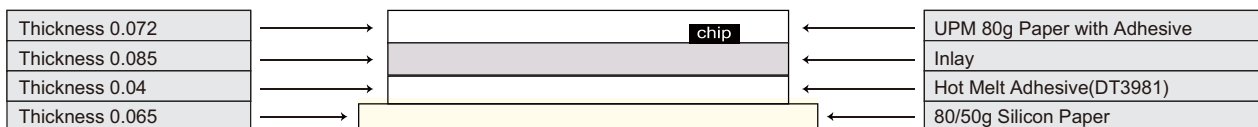
- Aluminum Etching/30 μm
- Substrate: PET/38 μm
- Aluminum Etching/10 μm



## Label Layout and Dimensions



## Label Composition



## Packaging

	1,500 pcs/roll with 3" core 1 meter leading silicon paper at the beginning and ending of roll
	1 roll/inner case 200*200*68mm/2 gaskets Φ195*3mm
	8 inner cases/master ctn 430*220*305mm