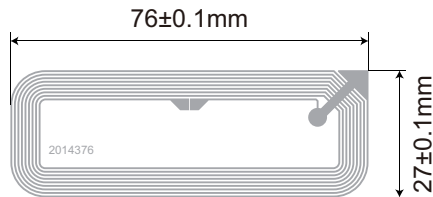


IC Specifications

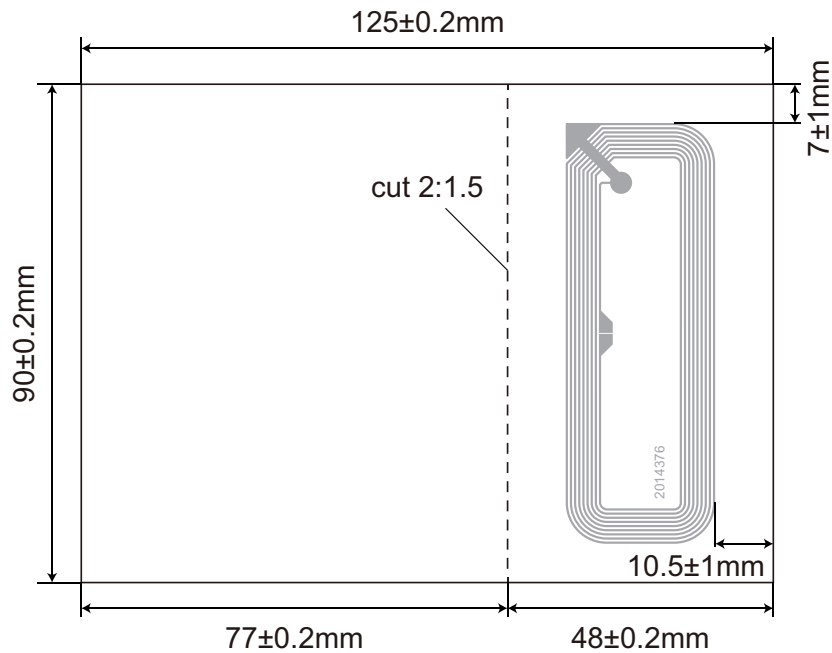
- IC Protocol:ISO/IEC 14443A
- ISO Typical Operating Frequency:13.56MHz
- Chip:NXP Mifare DESFire EV1 2K
- User Memory:4KB
- Operating Temperature:-25°C/+70°C
- Storage Temperature:-55°C/+125°C

Antenna Design

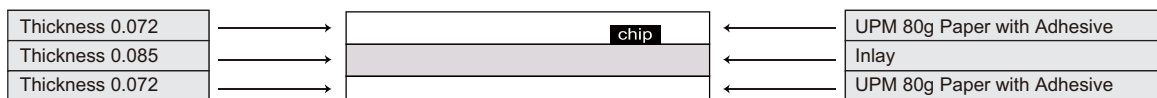
- Aluminum Etching/30 μm
- Substrate: PET/38 μm
- Aluminum Etching/10 μm




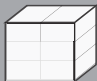
Hang Tag Layout and Dimensions



Hang Tag Composition



Packaging

	50 pcs/ESD bag 16 ESD bags/inner case 264*150*127mm
	6 inner cases/master ctn 475*270*280mm