



IC Specifications

- IC Protocol:ISO/IEC 18000-6C
- ISO Typical Operating Frequency:860~960MHz
- Chip:Monza R6-P
- User Memory:64 bits
- Operating Temperature:-40°C/+85°C
- Storage Temperature:-40°C/+85°C

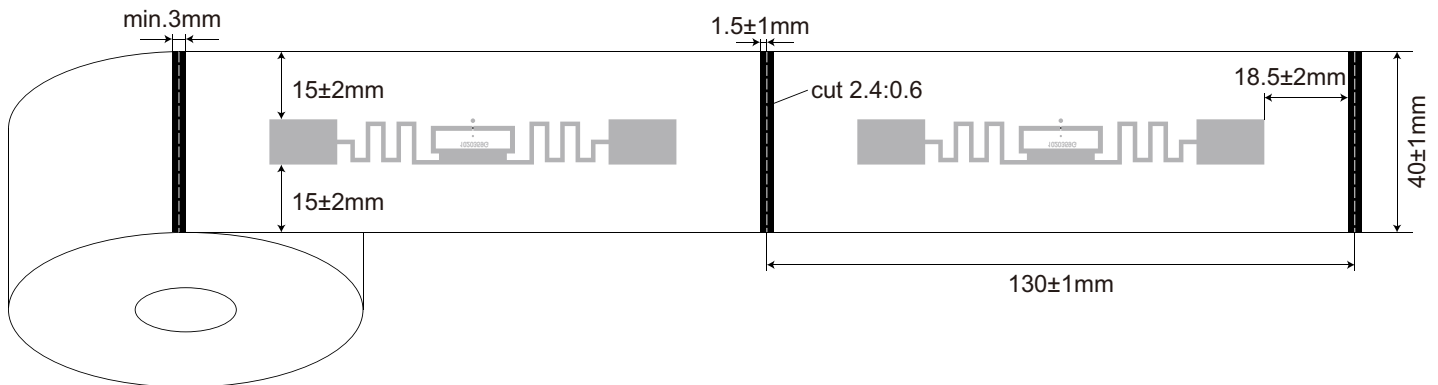
Antenna Design

- Aluminum Etching/10 μm
- Substrate: PET/50 μm

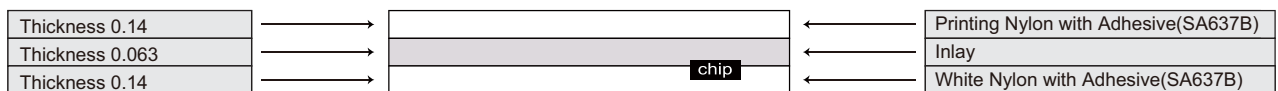


Nylon Label Layout and Dimensions

Unwinding direction →



Nylon Label Composition



Packaging

	500 pcs/roll with 3" core 1 meter leading silicon paper at the beginning and ending of roll
	1 roll/inner case 200*200*68mm(TBD)/2 gaskets Φ195*3mm
	8 inner cases/master ctn 430*220*305mm(TBD)