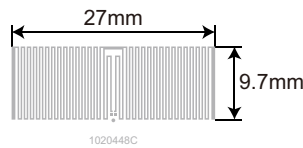


**IC Specifications**

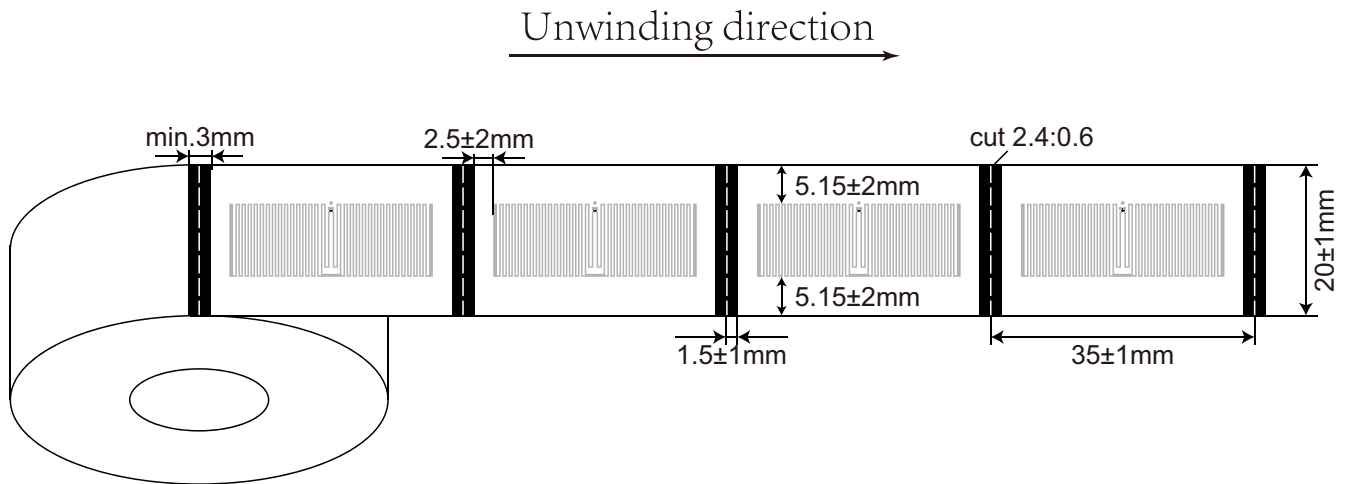
- IC Protocol:ISO/IEC 18000-6C
- ISO Typical Operating Frequency:860~960MHz
- Chip:Monza R6-P
- User Memory:64 bits
- Operating Temperature:-40°C/+85°C
- Storage Temperature:-40°C/+85°C

**Antenna Design**

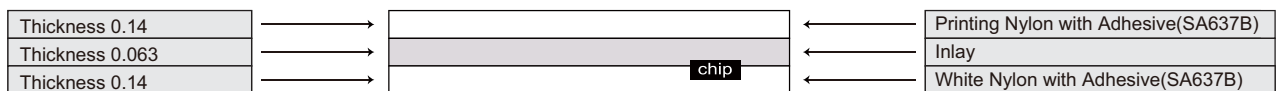
- Aluminum Etching/10 μm
- Substrate: PET/50 μm



**Nylon Label Layout and Dimensions**



**Nylon Label Composition**



**Packaging**

	1,000 pcs/roll with 3" core 1 meter leading silicon paper at the beginning and ending of roll
	1 roll/inner case 200*200*48mm(TBD)/2 gaskets Φ195*3mm
	10 inner cases/master ctn 430*220*270mm(TBD)