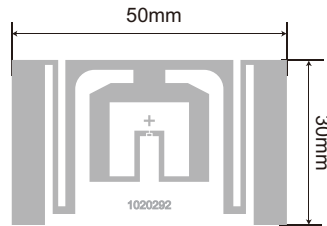


**IC Specifications**

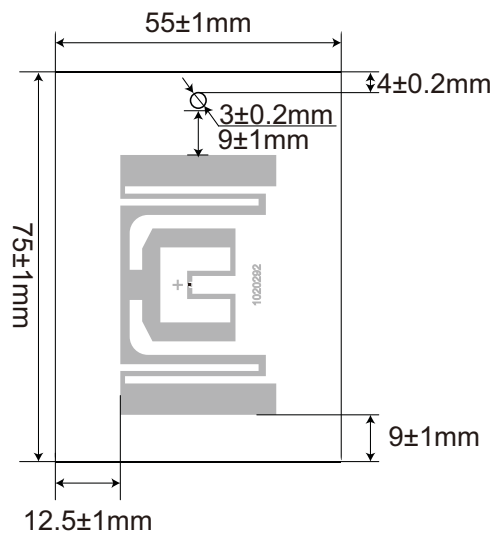
- IC Protocol:ISO/IEC 18000-6C
- ISO Typical Operating Frequency:860MHz~960MHz
- Chip:U CODE 7
- Operating Temperature:-40°C/+85°C
- Storage Temperature:-55°C/+125°C

**Antenna Design**

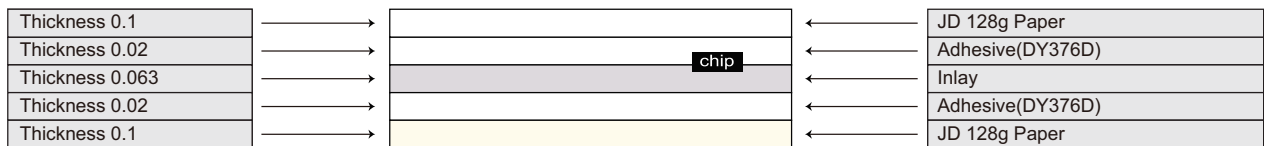
- Aluminum Etching/10 μm
- Substrate: PET/50 μm



**Hang Tag Layout and Dimensions**



**Hang Tag Composition**



**Packaging**

	300 pcs/ESD bag(250*250mm) 4 ESD bags/inner case 170*170*110mm(TBD)
	8 inner cases/master ctn 370*290*250mm(TBD)