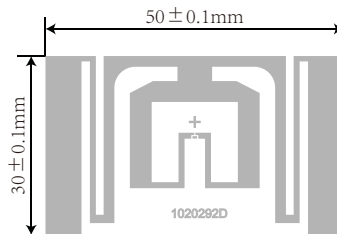


IC Specifications

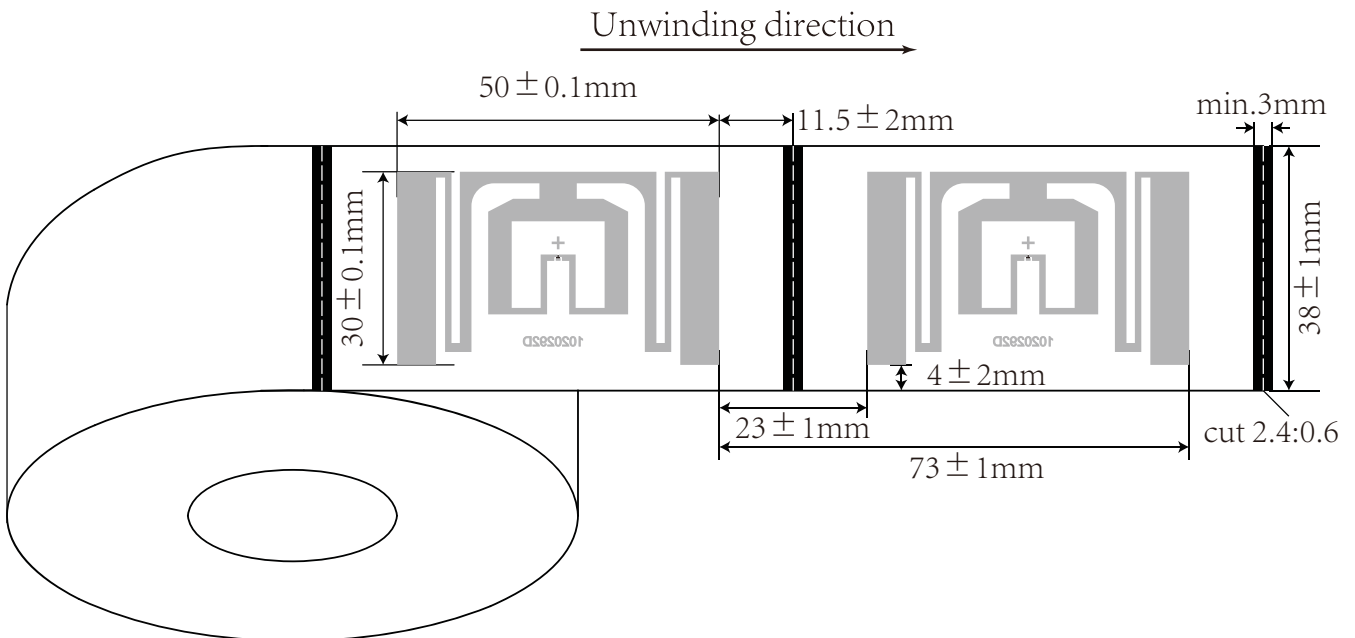
- IC Protocol:ISO/IEC 18000-6C
- ISO Typical Operating Frequency:860-960MHz
- Chip:U CODE 7
- Operating Temperature:-40°C/+85°C
- Storage Temperature:-55°C/+125°C

Antenna Design

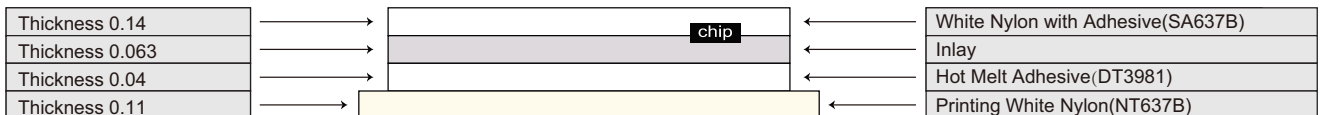
- Aluminum Etching/10 μm
- Substrate: PET/50 μm



Nylon Layout and Dimensions



Nylon Composition



Packaging

	1,000 pcs/roll with 3" core
	1 roll/inner case 225*225*45mm(TBD)
	10 inner cases/master ctn 480*245*225mm(TBD)