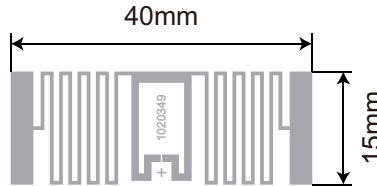


IC Specifications

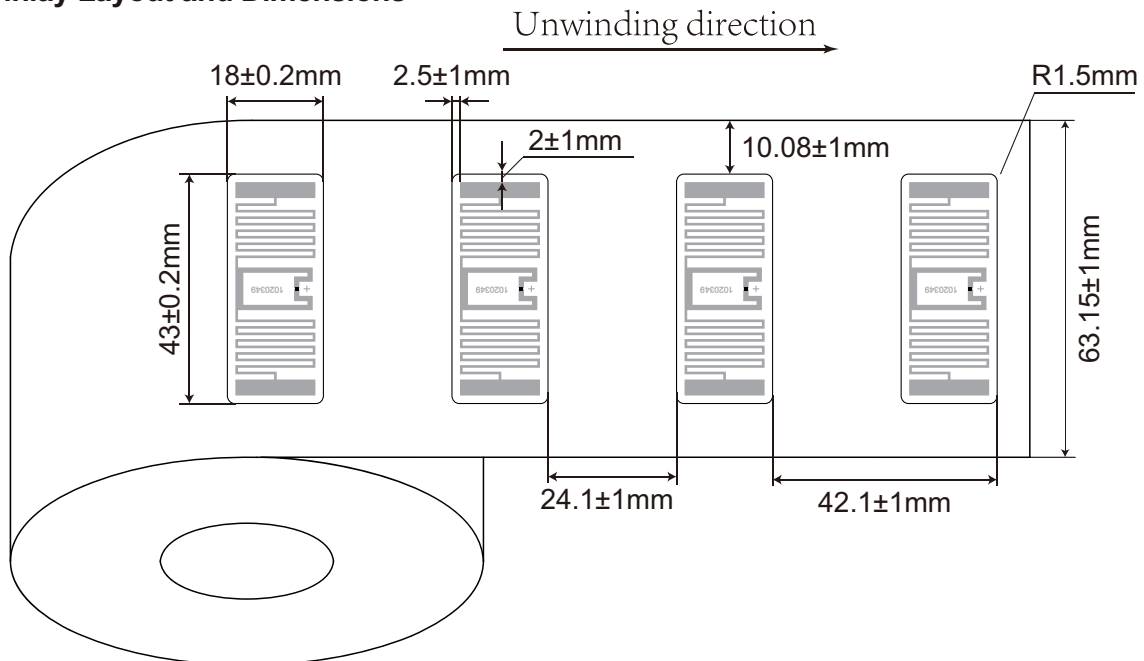
- IC Protocol:ISO/IEC 18000-6C
- ISO Typical Operating Frequency:860-960MHz
- Chip:Monza R6-P
- User Memory:64 bits
- Operating Temperature:-40°C/+85°C
- Storage Temperature:-40°C/+85°C

Antenna Design

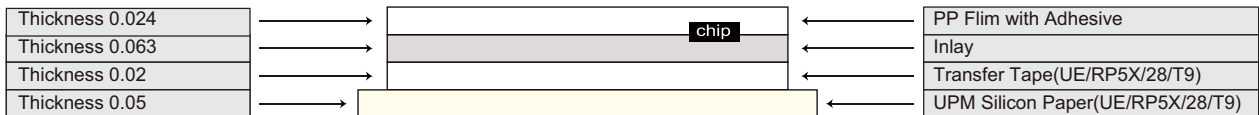
- Aluminum Etching/10 μm
- Substrate: PET/50 μm



Wet inlay Layout and Dimensions



Wet inlay Composition



Packaging

	2,000 pcs/roll with 3 "core 1 meter leading silicon paper at the beginning and ending of roll
	1 roll/inner case 150*150*88mm/2 gaskets Φ145*3mm
	6 inner cases/master ctn 330*170*305mm