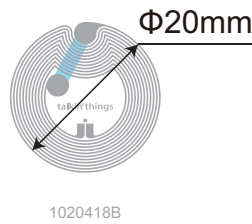


### IC Specifications

- IC Protocol:ISO/IEC 14443A
- ISO Typical Operating Frequency:13.56MHz
- Chip:NTAG 213
- User Memory:144 bytes
- Operating Temperature:-25°C/+70°C
- Storage Temperature:-55°C/+125°C

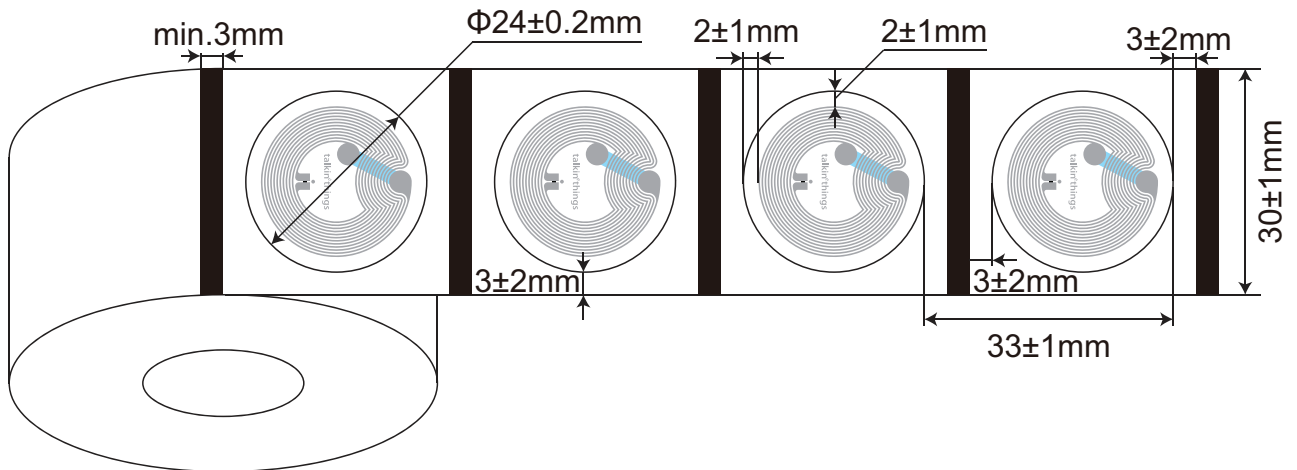
### Antenna Design

- Aluminum Etching/30  $\mu\text{m}$
- Substrate: PET/38  $\mu\text{m}$
- Aluminum Etching/10  $\mu\text{m}$

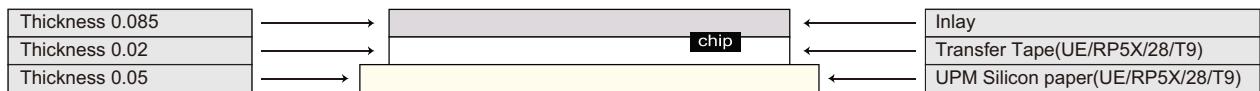


### Wet inlay Layout and Dimensions

Unwinding direction  $\rightarrow$



### Wet inlay Composition



### Packaging

	2,000 pcs/roll with 3 "core 1 meter leading silicon paper at the beginning and ending of roll
	1 roll/inner case 150*150*48mm/2 gaskets $\Phi 145 \times 3\text{mm}$
	10 inner cases/master ctn 330*170*270mm