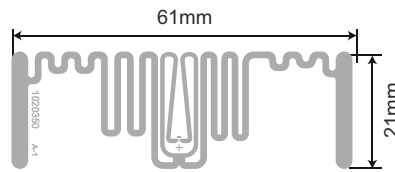


IC Specifications

- IC Protocol:ISO/IEC 18000-6C
- ISO Typical Operating Frequency:860~960MHz
- Chip:U CODE 7
- Operating Temperature:-40°C/+85°C
- Storage Temperature:-55°C/+125°C

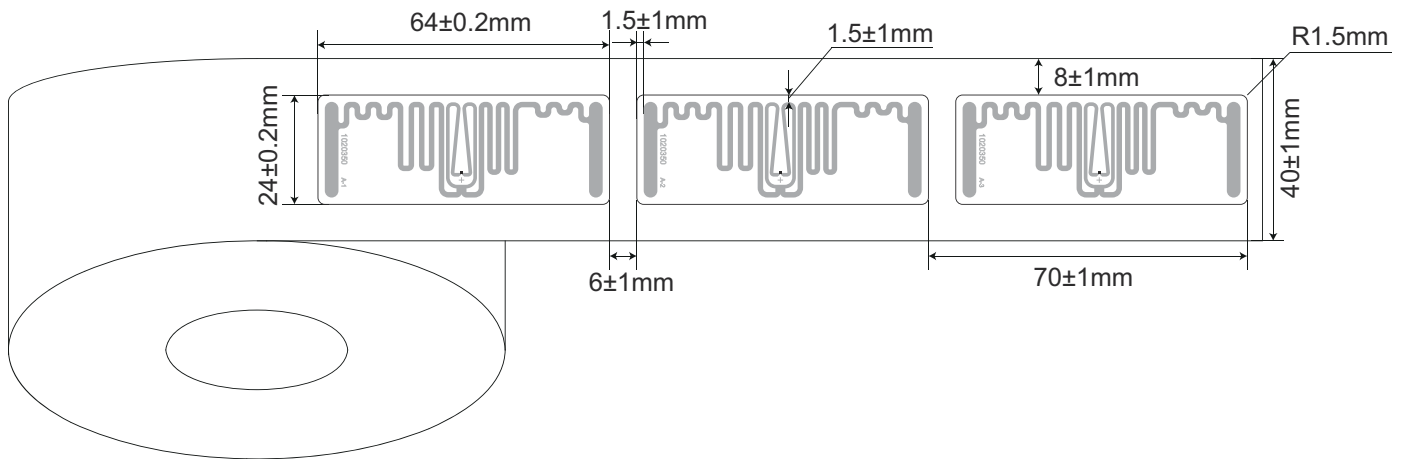
Antenna Design

- Aluminum Etching/10 μm
- Substrate: PET/50 μm

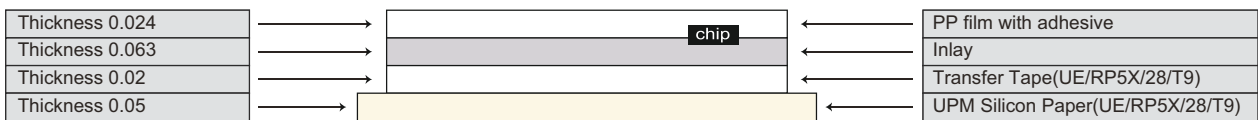


Wet Inlay Layout and Dimensions

Unwinding direction →



Wet Inlay Composition



Packaging

	1,000 pcs/roll with 3" core 1 meter leading silicon paper at the beginning and ending of roll
	1 roll/inner case 200*200*68mm/2 gaskets Φ195*3mm
	8 inner cases/master ctn 430*220*305mm