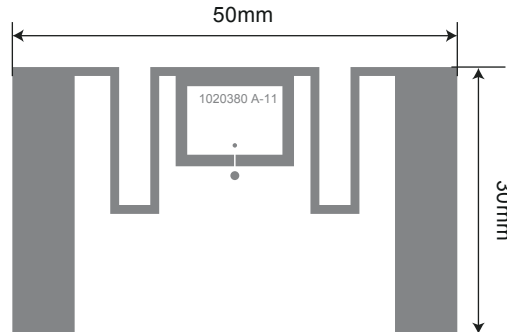


# Antenna 1020380 50x30mm

Example of Label/Product

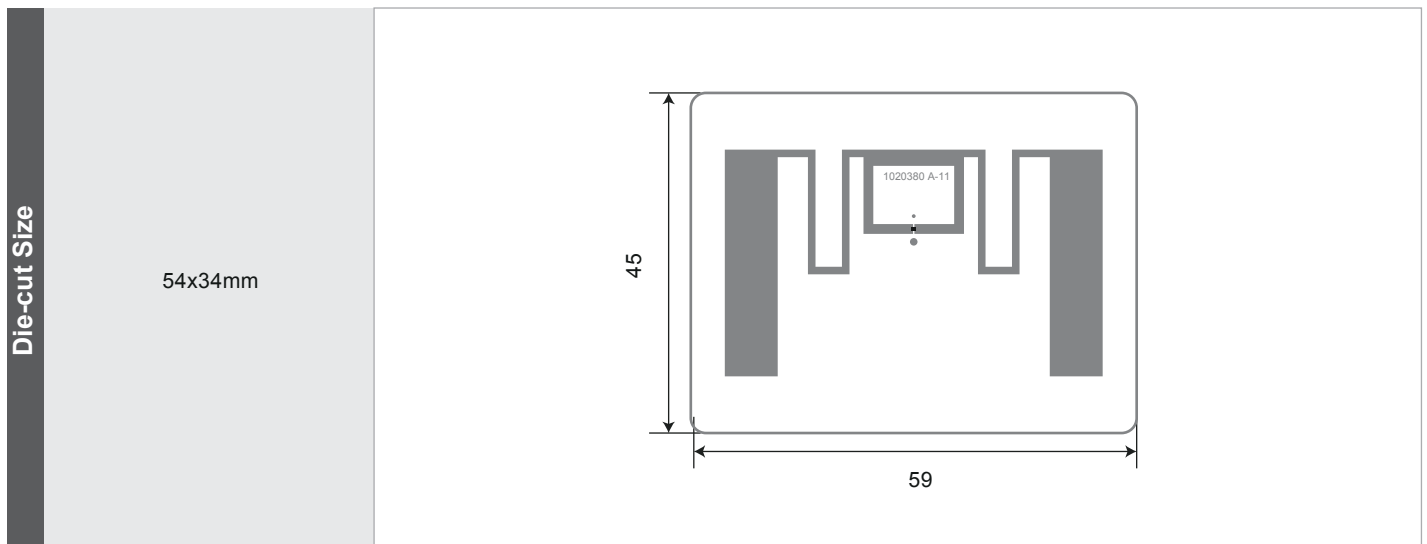
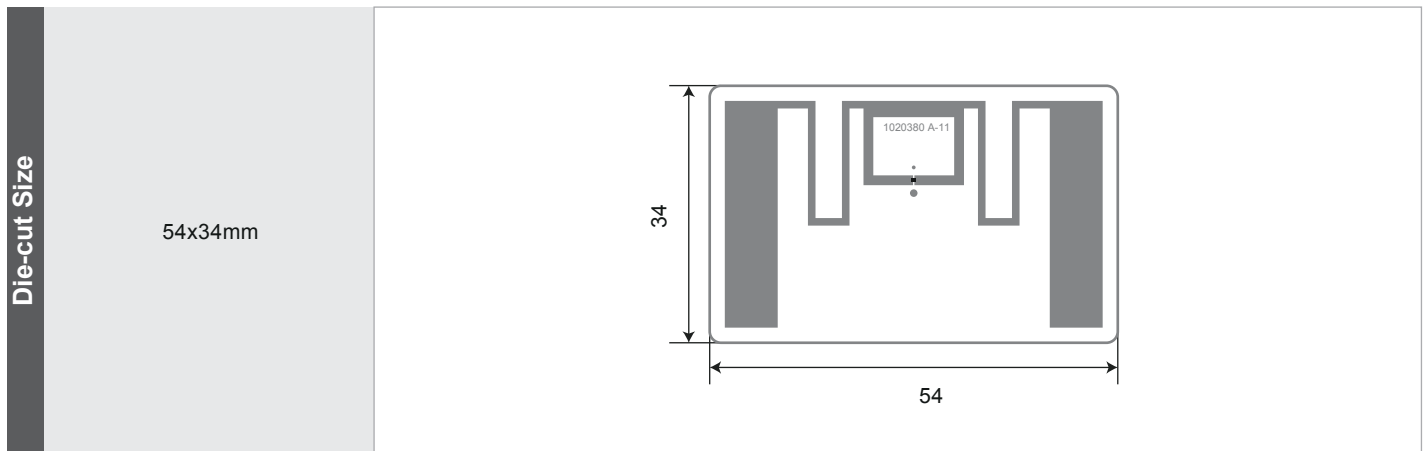


### Antenna Design

Top: Aluminum/10  $\mu$ m  
Substrate: PET/50  $\mu$ m

Die-cut Size	Antenna Position (on the web)	Chip	Form Factor
54x34mm	WEL/NEL	Monza R6/Monza R6-P/Monza R6-A	Paper / PET / PP / Nylon / Satin / Hangtag
59x45mm	WEL/NEL	Monza R6/Monza R6-P/Monza R6-A	
100x50mm	WEL	Monza R6/Monza R6-P/Monza R6-A	

We can make more label size according to customer's requirements.



Die-cut Size

54x34mm

