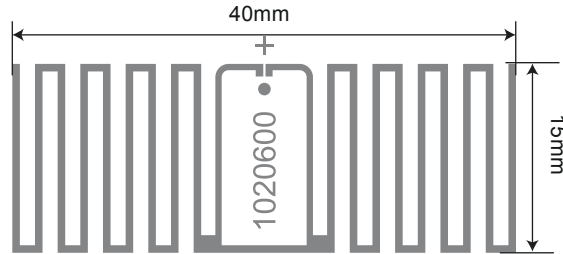


# Antenna 1020600 40x15mm

## Example of Label/Product

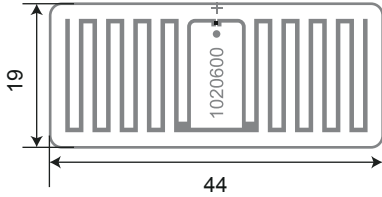
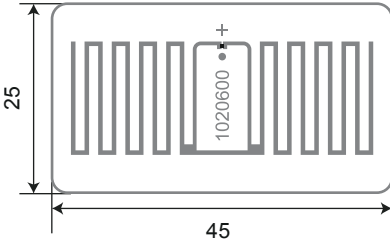


### Antenna Design

Top: Aluminum/10  $\mu$ m  
Substrate: PET/50  $\mu$ m

Die-cut Size	Antenna Position (on the web)	Chip	Form Factor
44x19mm	WEL/NEL	NXP U CODE 7/NXP U CODE 8	Paper / PET / PP / Nylon / Satin / Hangtag
45x25mm	WEL/NEL	NXP U CODE 7/NXP U CODE 8	

We can make more label size according to customer's requirements.

Die-cut Size	44x19mm	 <p>19</p> <p>44</p>
Die-cut Size	45x25mm	 <p>25</p> <p>45</p>