



**D SLIX2 0630E Φ20 48 O 227-0001**

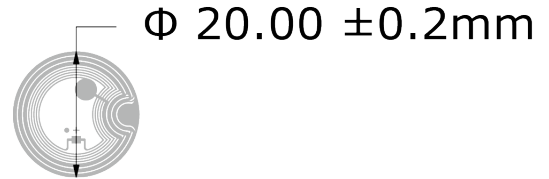
**IC Specifications**

- IC Protocol: ISO/IEC 15693
- ISO Typical Frequency: 13.56 MHz
- Chip: NXP I CODE SLIX2
- User Memory: 2560bit

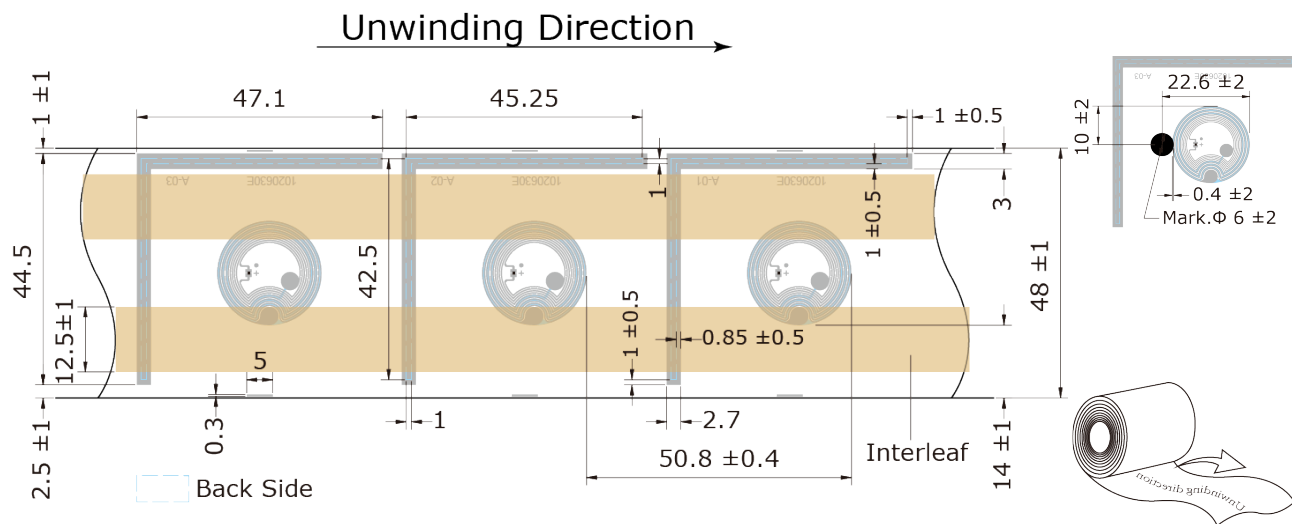
- Chip Part No.: SL2S2602FUD/BG
- Operating Temperature: -40°C/+85°C
- Storage Temperature: -55°C/+125°C
- Chip Capacitor: 23.5PF

**Antenna Design**

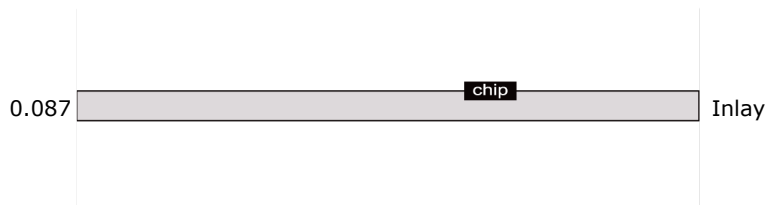
Top: Aluminum/30 μm  
 Substrate: PET/38 μm  
 Bottom: Aluminum/10 μm



**Layout and Dimensions (mm)**



**Construction (Thickness: mm; Tolerance: +/-10% per layer )**



**Product Parameter**

Parameters	Characteristics
Tail	NA
Defectives	Marked (see layout), ≤3pcs continous bad
Yield	≥ 99 %

**Others**