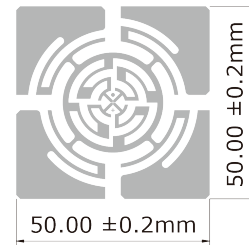


### IC Specifications

- IC Protocol: ISO/IEC 18000-6C
- ISO Typical Operating Frequency: 840-960 MHz
- Chip: FM13UF011X
- User Memory: 512bit
- Chip Part No.: /
- Operating Temperature: -40°C/+85°C
- Storage Temperature: -55°C/+125°C
- EPC Memory: 128bit

### Antenna Design

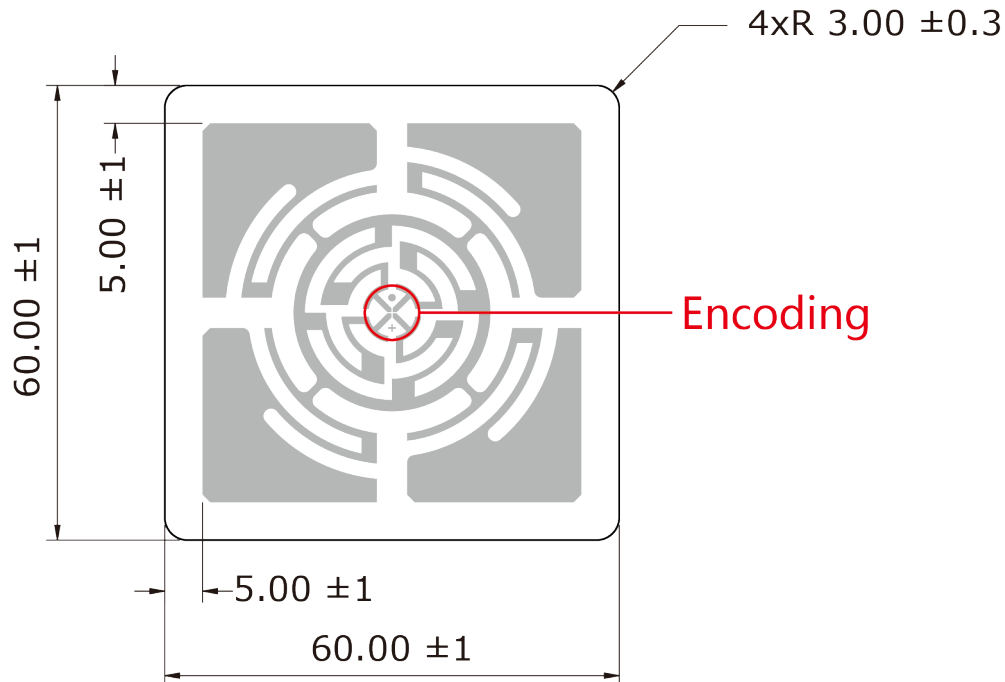
Top: Aluminum/10 μm  
Substrate: PET/50 μm



### Construction (Total thickness: 1.15 +/- 0.1mm)

1	PVC CARD
0.05	Transfer Tape(3M467)
0.1	Silicon Paper(3M467)

### Layout and Dimensions (mm)

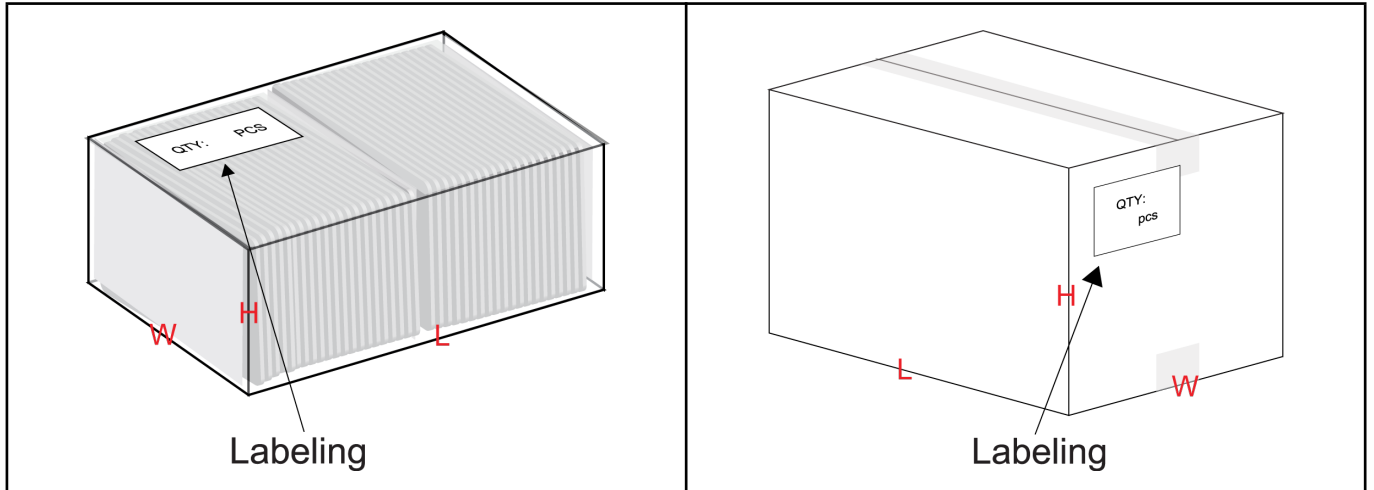


**Package information**

**Size** (TBD)

<p>- 100 pcs/inner case</p> <p>Length: 115 mm Width: 62 mm Height: 62 mm</p>	<p>- <u>10</u> inner /Master ctn</p> <p>Length: <u>340</u> mm Width : <u>135</u> mm Height: <u>155</u> mm</p>

**Illustration**



**Labeling information**

<div style="border: 1px solid black; padding: 20px; width: 80%; margin: 0 auto;"> <p><b>QTY:      PCS</b></p> </div> <p>colour:white   1pcs/inner case   size:70*30 mm</p>	<div style="border: 1px solid black; padding: 20px; width: 80%; margin: 0 auto;"> <p><b>QTY:</b></p> <p><b>pcs</b></p> </div> <p>colour:white   1pcs/master ctn   size:100*80 mm</p>
--	--

**Others**

--